

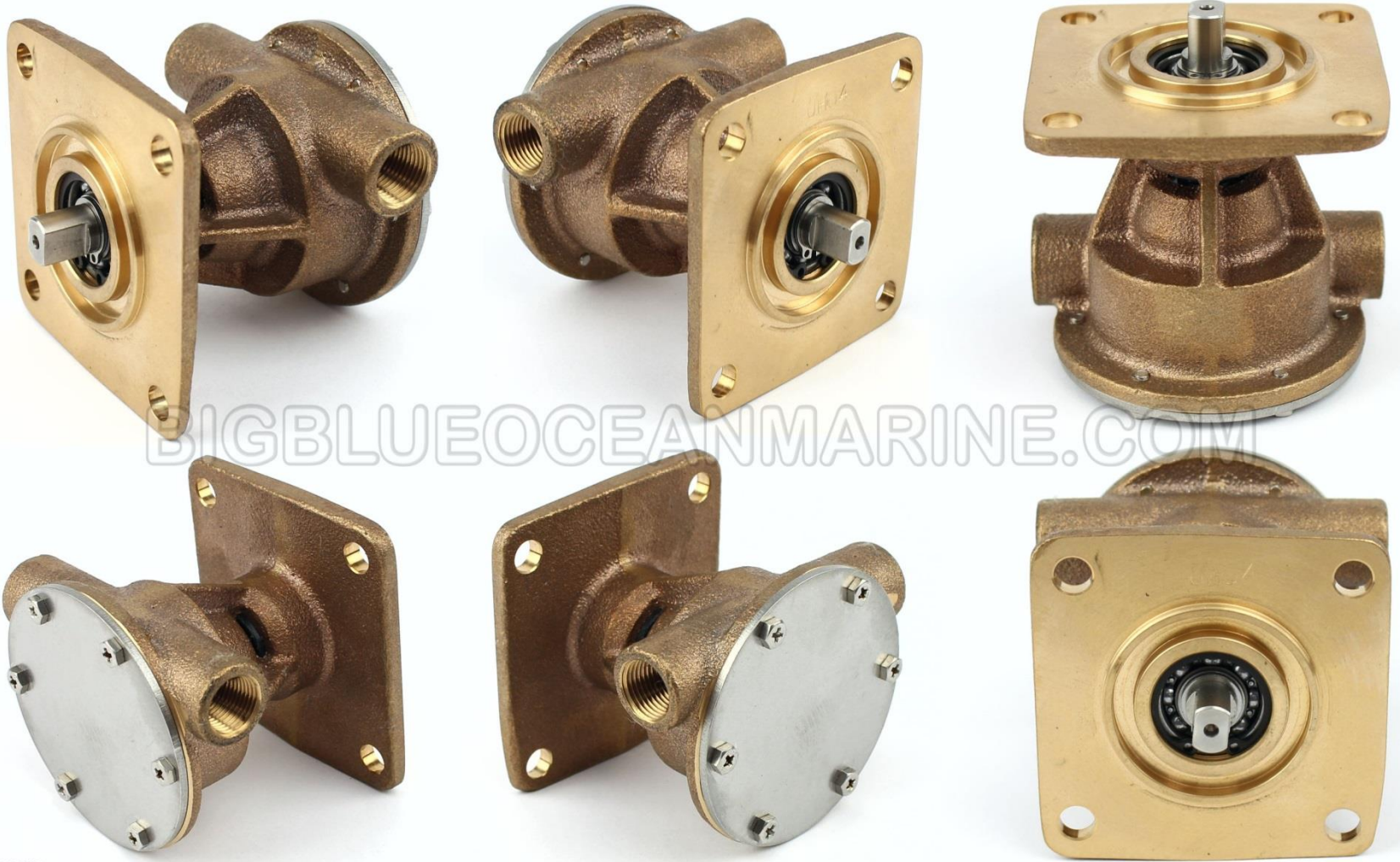
JPR-WB08IP

Replacement Engine Cooling Pump for Westerbeke

Replaces Westerbeke P/N: 48080, 37431, 33636

Replaces Johnson P/N: 10-36006

Mechanical Seal



Exploded View Part Diagram

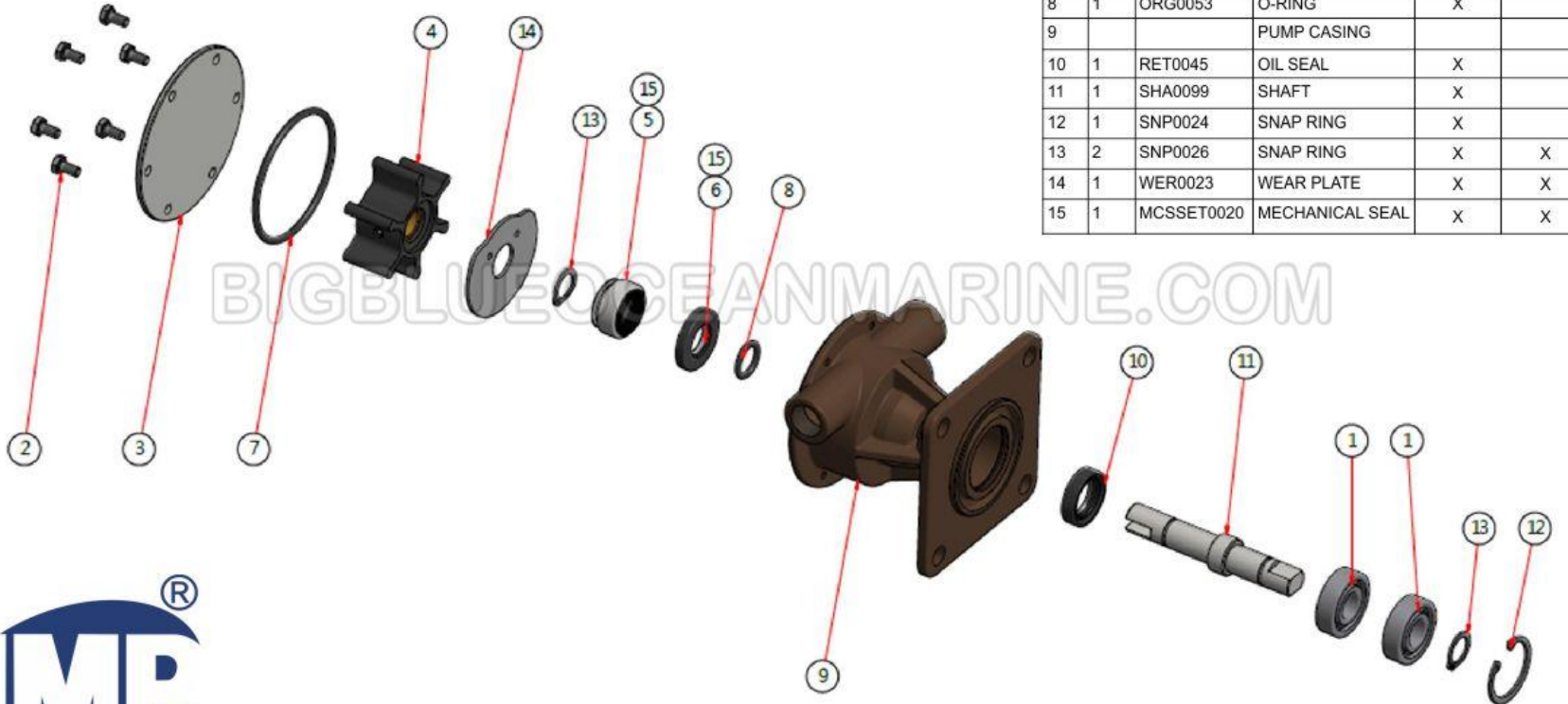
JMP #JPR-WB08IP

Replacement Engine Cooling Pump for Westerbeke

Replaces Westerbeke P/N: 48080, 37431, 33636

Replaces Johnson P/N: 10-36006

No	QTY	PART NO.	DESCRIPTION	JSK0089 (Major Kit)	JSM0089 (Minor Kit)
1	2	BER0048	BEARING	X	
2	6	BOL0144	HEX BOLT	X	X
3	1	COV0042	COVER	X	X
4	1	7050-01	IMPELLER	X	X
5	1		CARBON		
6	1		CERAMIC		
7	1	ORG0052	O-RING	X	X
8	1	ORG0053	O-RING	X	
9			PUMP CASING		
10	1	RET0045	OIL SEAL	X	
11	1	SHA0099	SHAFT	X	
12	1	SNP0024	SNAP RING	X	
13	2	SNP0026	SNAP RING	X	X
14	1	WER0023	WEAR PLATE	X	X
15	1	MCSSET0020	MECHANICAL SEAL	X	X



JPR-WB08IP

Parts & Compatibility Reference Chart

DESCRIPTION	JMP	COMPATIBILITY	WESTERBEKE	JOHNSON	QTY	JSM0089 Minor Kit	JSK0089 Major Kit
PUMP ASSEMBLY	JPR-WB08IP	YES	48080	10-36006	1		
BEARING	BER0048	YES	34464	0.3431.441	2		X
SREWS, END COVER	BOL0144	YES	34463	0.0141.700	6	X	X
END COVER	COV0042	YES	49170	01-46007-2	1	X	X
IMPELLER	7050-01K	NO	48500 (KIT)	09-810B-12	1	X	X
MECHANICAL SEAL (Carbon & Ceramic)	MCSSET0020	NO	48254	0.2247.021	1	X	X
O-RING, END COVER	ORG0052	YES	48359	0.2173.476	1	X	X
O-RING	ORG0053	YES	33041	0.2173.432	1		X
OIL SEAL	RET0045	NO	49169	0.2233.026	1		X
SHAFT	SHA0099	NO	49172	01-47065	1		X
SNAP-RING (LARGE)	SNP0024	YES	33044	0.0371.028	1		X
SNAP-RING (SMALL)	SNP0026	YES	33045	0.0370.512	2	X	X
WEAR PLATE	WER0023	NO	49171	01-46737-2	1	X	X

JPR-WB08IP

Parts Image of Major Kit #**JSK0089**

JMP #JSK0089 (MAJOR KIT)

Major Service Kit For:

- JMP #JPR-WB08IP

Replacement for Westerbeke P/N: 48080

Replacement for Johnson P/N: 10-36006

NOTE:

Impeller, Mechanical Seal, Oil Seal, Shaft, Wear Plate

For JMP pump JPR-WB08IP ONLY.



JPR-WB08IP

Parts Image of Minor Kit #JSM0089

JMP #JSM0089 (MINOR KIT)

Major Service Kit For:

- JMP #JPR-WB08IP

Replacement for Westerbeke P/N: 48080

Replacement for Johnson P/N: 10-36006

NOTE:

Impeller, Mechanical Seal, Oil Seal, Shaft, Wear Plate
For JMP pump JPR-WB08IP ONLY.





BigBlueOceanMarine

“Where Price & Quality Count”



Your Source For JMP Marine Products & More!

CONTACT

RYAN SCHOOR

sales@bigblueoceanmarine.com

T: 1 (250) 713-1018

WWW.BIGBLUEOCEANMARINE.COM